

MATERIALS & SPECIFICATIONS

HOUSING: ALUMINUM 6061-T6, NICKEL PLATE
PER AMS-C-26074

INSULATOR: LIQUID CRYSTAL POLYMER (LCP)
PER ASTM D5138

CONTACT: BERYLLIUM COPPER PER ASTM B194,
C17200. GOLD PLATED PER
ASTM B488, (HARD GOLD) TYPE II
CODE C, CLASS 1.27

WIRE: NEMA HP3 TYPE ET, COLOR CODED IAW MIL-STD-681,
SYSTEM 1, USING TEN SOLID REPEATING COLORS

HARDWARE: 303 STAINLESS STEEL PER ASTM 582

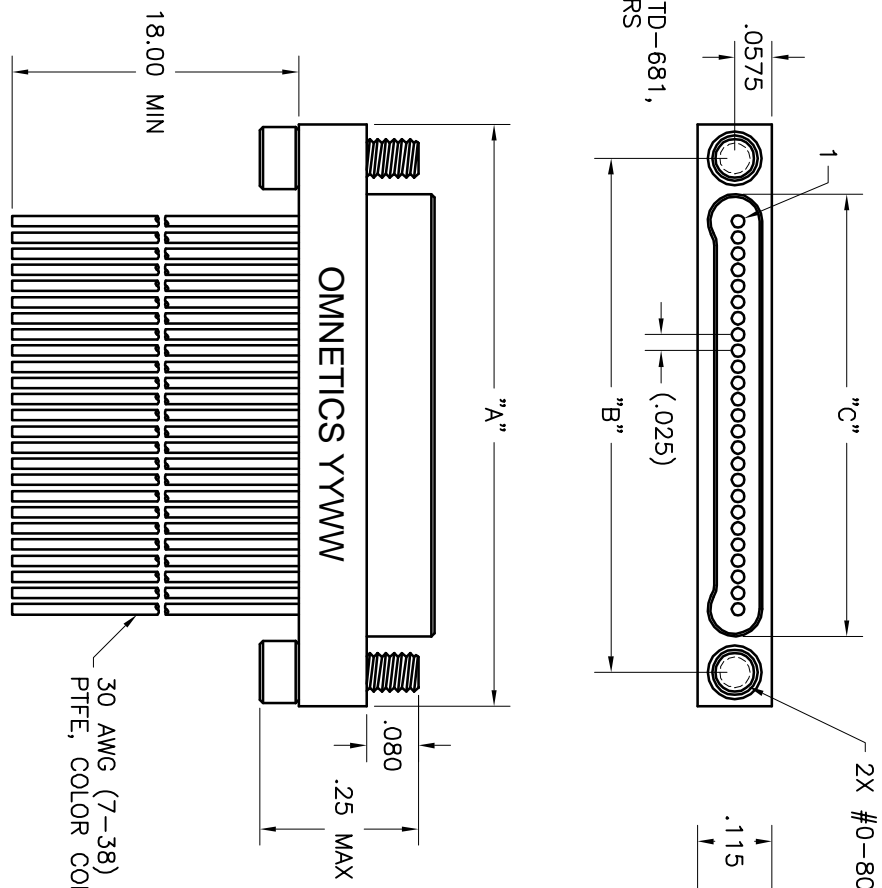
CURRENT RATING 1 AMP MAX PER MIL-DTL-32139

CONTACT RESISTANCE 25 MILLIOHM MAX

PERFORMANCE: PRODUCT FAMILY TESTED TO
AND PASSED THE PERFORMANCE
SPECIFICATIONS OF TABLE VIII
OF MIL-DTL-32139

PART NO.	CONTACTS	"A"	"B"	"C"
A54000-005	5	.400	.295	.184
A54000-009	9	.500	.395	.284
A54000-015	15	.650	.545	.434
A54000-021	21	.800	.695	.584
A54000-025	25	.900	.795	.684
A54000-031	31	1.050	.945	.834
A54000-037	37	1.200	1.095	.984
A54000-051	51	1.550	1.445	1.334

(SHOWN)



PIN	COLOR
1, 11, 21	BLACK
2, 12, 22	BROWN
3, 13, 23	RED
4, 14, 24	ORANGE
5, 15, 25	YELLOW
6, 16	GREEN
7, 17	BLUE
8, 18	VIOLET
9, 19	GRAY
10, 20	WHITE

-TOLERANCES- UNLESS OTHERWISE NOTED DIMENSIONS IN INCHES		OMNETICS CORPORATION		CAGE CODE 61873	
2 PL DEC ± .01	DFTM. TEP	DATE 07-31-06	TITLE: (XX) PIN MALE		
3 PL DEC ± .005	CHK'D.	DATE	BI-LOBE CONNECTOR		
4 PL DEC ±	APP'D.	DATE			
ANGLES ±					
MB DS					
			SCALE: 5:1		
			SHEET 1 OF 1		
			REV C		

PART NO.	REV	ECO	DATE	APP
	C	94526	06-21-07	TLM