

**MATERIALS & SPECIFICATIONS**

HOUSING: ALUMINUM 6061-T6, NICKEL PLATE  
PER AMS-C-26074

INSULATOR: LIQUID CRYSTAL POLYMER (LCP)  
PER ASTM D5138

CONTACT: COPPER ALLOY PER MIL-DTL-83513,  
GOLD PLATED PER ASTM B488,  
(HARD GOLD) TYPE II CODE C  
CLASS 1.27

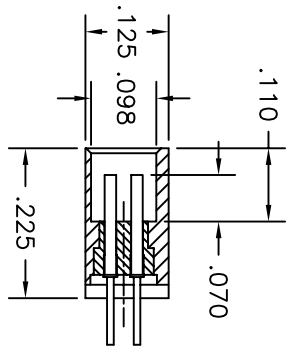
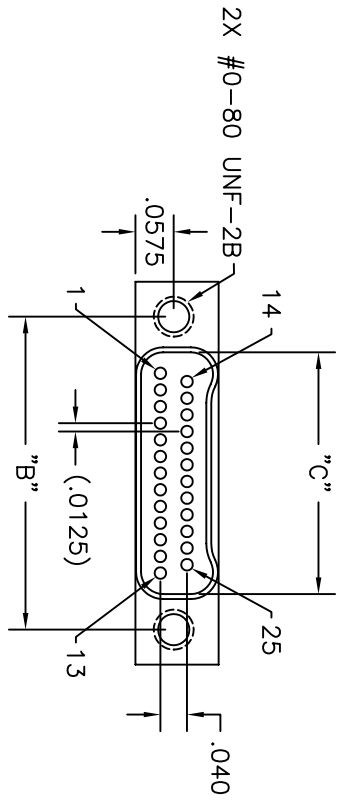
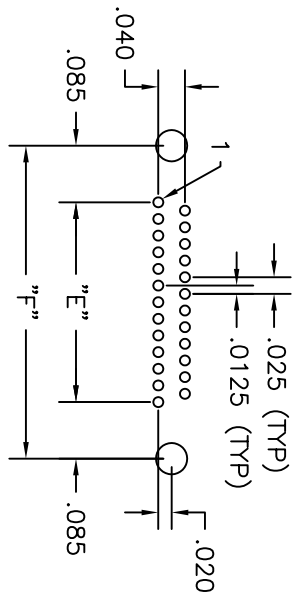
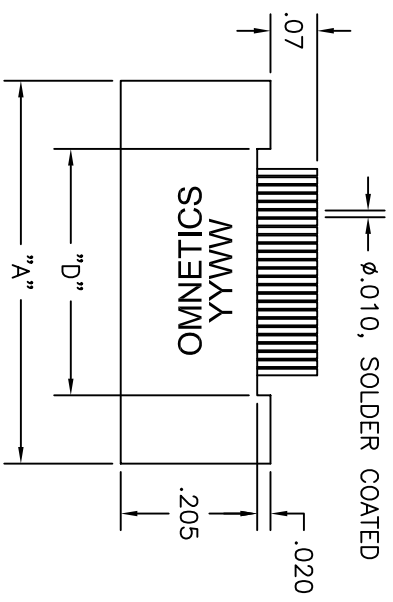
TERMINATIONS: COATED WITH SN63A PER J-STD-006

CURRENT RATING 1 AMP MAX

CONTACT RESISTANCE 25 MILLIOHM MAX

PERFORMANCE: PRODUCT FAMILY TESTED TO  
AND PASSED THE PERFORMANCE  
SPECIFICATIONS OF TABLE VIII  
OF MIL-DTL-32139

PART NO.	REV	ECO	DATE	APP
	E	94450	05-14-07	TLM



PART NO.	CONTACTS	"A"	"B"	"C"	"D"	"E"	"F"
A29500-009	9	.375	.270	.163	.170	.100	.270
A29500-015	15	.450	.345	.238	.245	.175	.345
A29500-021	21	.525	.420	.313	.320	.250	.420
A29500-025	25	.575	.470	.363	.370	.300	.470
A29500-031	31	.650	.545	.438	.445	.375	.545
A29500-037	37	.725	.620	.513	.520	.450	.620
A29500-051	51	.900	.795	.688	.695	.625	.795
A29500-065	65	1.075	.970	.863	.870	.800	.970

(SHOWN)

-TOLERANCES- UNLESS OTHERWISE NOTED DIMENSIONS IN INCHES		<b>OMNETICS CONNECTOR CORPORATION</b>		CAGE CODE <b>61873</b>	
2 PL DEC	± .01	DFTM. PER	DATE	04-17-03	DWG NO. <b>A29500-0XX</b>
3 PL DEC	± .005	CHK'D.	DATE		SHEET 1 OF 1
4 PL DEC	±	APP'D.	DATE		SCALE: 5:1
ANGLES	±	TITLE:		SOCKET FEMALE BI-LOBE CONNECTOR	
MNSO				REV E	