

MATERIALS & SPECIFICATIONS

HOUSING: ALUMINUM 6061-T6, NICKEL PLATE
PER AMS-C-26074

INSULATOR: LIQUID CRYSTAL POLYMER (LCP)
PER ASTM D5138

CONTACT: COPPER ALLOY PER MIL-DTL-83513,
GOLD PLATED PER ASTM B488,
(HARD GOLD) TYPE II CODE C
CLASS 1.27

TERMINATIONS: COATED WITH SN63A PER J-STD-006

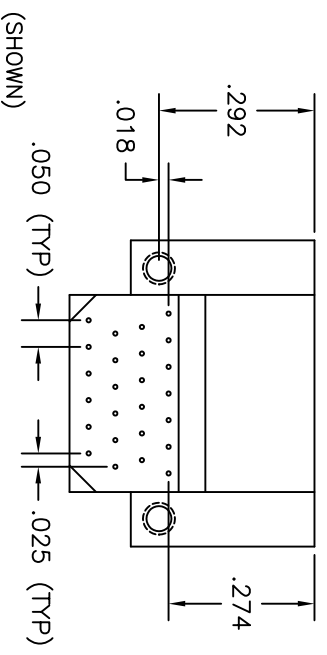
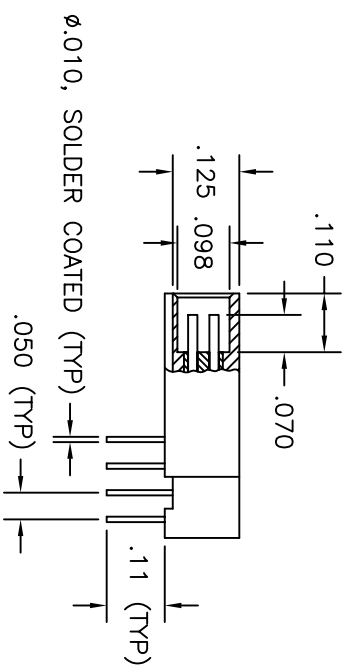
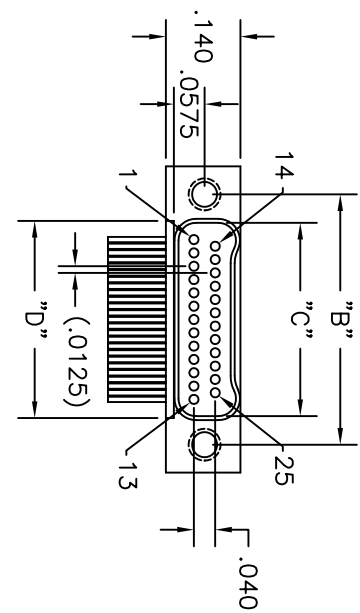
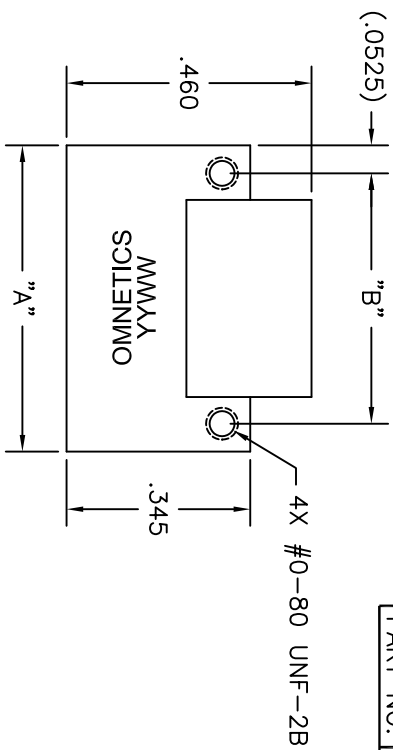
CURRENT RATING 1 AMP PER MIL-DTL-32139

CONTACT RESISTANCE 25 MILLIOHM MAX

PERFORMANCE: PRODUCT FAMILY TESTED TO
AND PASSED THE PERFORMANCE
SPECIFICATIONS OF TABLE VIII
OF MIL-DTL-32139

PART NO.	CONTACTS	"A"	"B"	"C"	"D"	"E"
A29400-009	9	.375	.270	.163	.170	.100
A29400-015	15	.450	.345	.238	.245	.175
A29400-021	21	.525	.420	.313	.320	.250
A29400-025	25	.575	.470	.363	.370	.300
A29400-031	31	.650	.545	.438	.445	.375
A29400-037	37	.725	.620	.513	.520	.450
A29400-051	51	.900	.795	.688	.695	.625
A29400-065	65	1.075	.970	.863	.870	.800

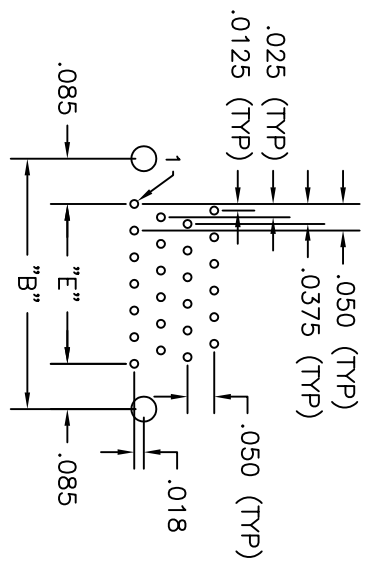
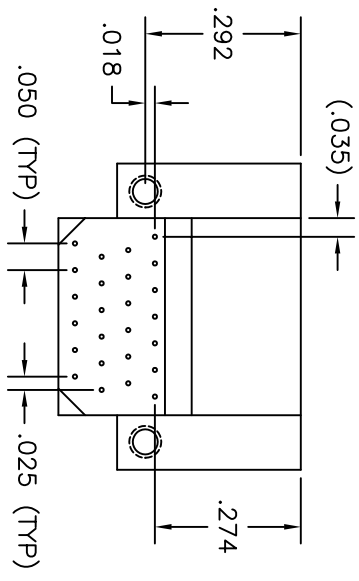
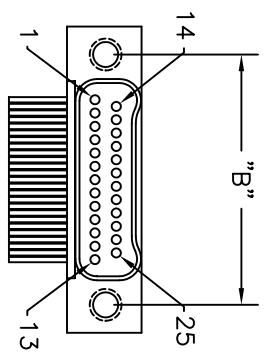
PART NO.	REV	ECO	DATE	APP
	F	94450	05-14-07	TLM



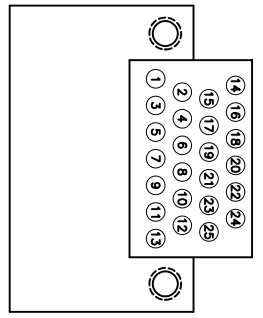
(SHOWN)

MNSO		UNLESS OTHERWISE NOTED		DATE		TITLE:		CAGE CODE	
2 PL DEC	± .01	DFTM.	PER	02-09-04		OMNETICS CONNECTOR CORPORATION		61873	
3 PL DEC	± .005	CHK'D.				(XX) SOCKET FEMALE		A29400-0XX	
4 PL DEC	± .0005	APP'D.				BI-LOBE CONNECTOR		SCALE: 4:1	
ANGLES ±		DATE		DATE		SHEET 1 OF 3		REV F	

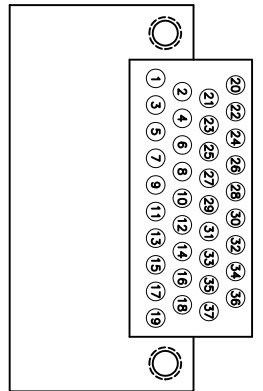
PART NO.	REV	ECO	DATE	APP
	F	94450	05-14-07	TLM



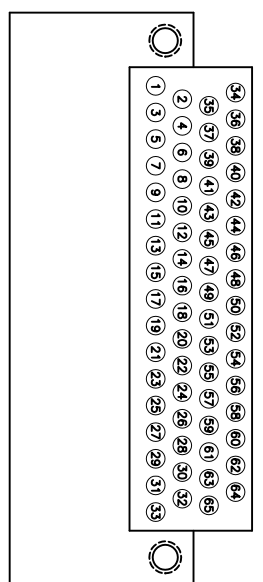
SUGGESTED HOLE PATTERN
(FOR 9, 21, 25, 37 & 65 POSITIONS)
(COMPONENT SIDE)



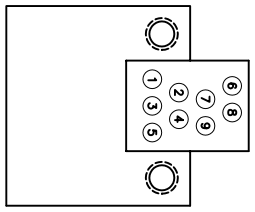
(25 POSITION)
NOTE PATTERN



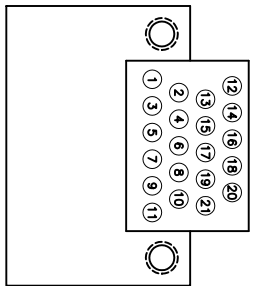
(37 POSITION)
NOTE PATTERN



(65 POSITION)
NOTE PATTERN



(9 POSITION)
NOTE PATTERN



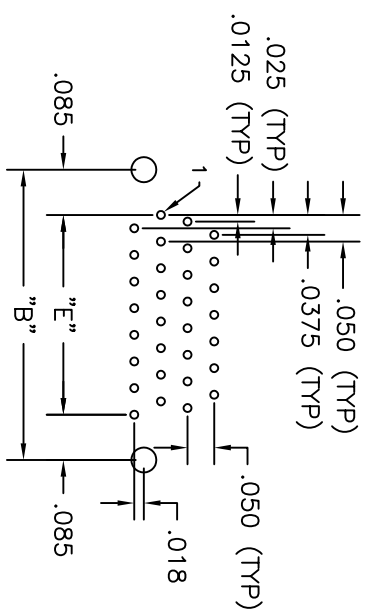
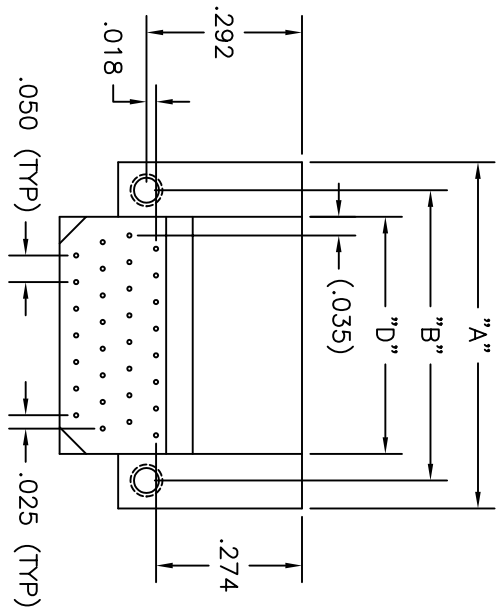
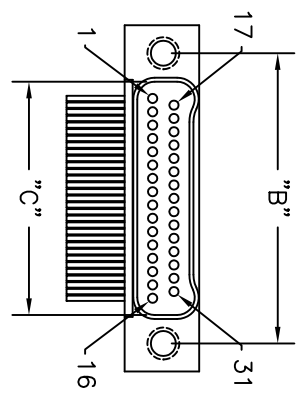
(21 POSITION)
NOTE PATTERN

PART NO.	CONTACTS	"A"	"B"	"C"	"D"	"E"
A29400-009	9	.375	.270	.163	.170	.100
A29400-021	21	.525	.420	.313	.320	.250
A29400-025	25	.575	.470	.363	.370	.300
A29400-037	37	.725	.620	.513	.520	.450
A29400-065	65	1.075	.970	.863	.870	.800

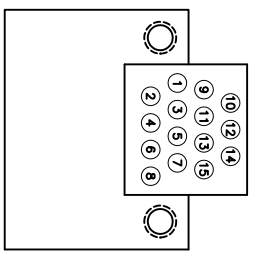
(SHOWN)

-TOLERANCES- UNLESS OTHERWISE NOTED		OMNETICS CONNECTOR CORPORATION		CAGE CODE 61873	
DIMENSIONS IN INCHES		DATE	DFTM. PER	DATE	DWG NO.
2 PL DEC	± .01	02-09-04	CHK'D.		A29400-0XX
3 PL DEC	± .005		APP'D.		
4 PL DEC	± .0005				
ANGLES	±				
TITLE:		SOCKET FEMALE		SHEET 2 OF 3	
BI-LOBE CONNECTOR		SCALE: 4:1		REV F	

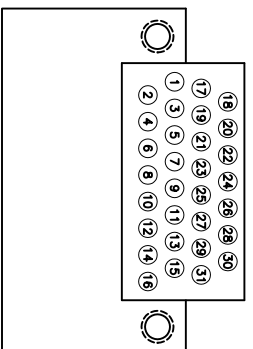
PART NO.	REV	ECO	DATE	APP
	F	94450	05-14-07	TLM



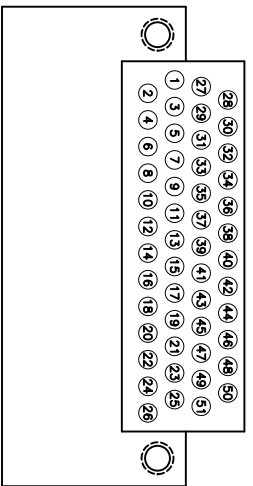
SUGGESTED HOLE PATTERN
(FOR 15, 31 & 51 POSITIONS)
(COMPONENT SIDE)



(15 POSITION)
NOTE PATTERN



(31 POSITION)
NOTE PATTERN



(51 POSITION)
NOTE PATTERN

PART NO.	CONTACTS	"A"	"B"	"C"	"D"	"E"
A29400-015	15	.450	.345	.238	.245	.175
A29400-031	31	.650	.545	.438	.445	.375
A29400-051	51	.900	.795	.688	.695	.625

(SHOWN)

-TOLERANCES- UNLESS OTHERWISE NOTED DIMENSIONS IN INCHES		OMNETICS CONNECTOR CORPORATION		CAGE CODE 61873	
2 PL DEC	± .01	DFTM. PER	DATE	DWG NO.	A29400-0XX
3 PL DEC	± .005	CHK'D.	DATE	SHEET OF	3
4 PL DEC	± .0005	APP'D.	DATE	SCALE:	4:1
ANGLES	±			REV	F
MNSO					

TITLE:
(XX) SOCKET FEMALE
BI-LOBE CONNECTOR