

MATERIALS & SPECIFICATIONS

HOUSING: ALUMINUM 6061-T6, NICKEL PLATE
PER AMS-C-26074

INSULATOR: LIQUID CRYSTAL POLYMER (LCP)
PER ASTM D5138

CONTACT: COPPER ALLOY PER MIL-DTL-83513,
GOLD PLATED PER ASTM B488,
(HARD GOLD) TYPE II CODE C
CLASS 1.27

WIRE: NEMA HP3 TYPE ET, COLOR CODED JAW MIL-STD-681,
SYSTEM 1, USING TEN SOLID REPEATING COLORS

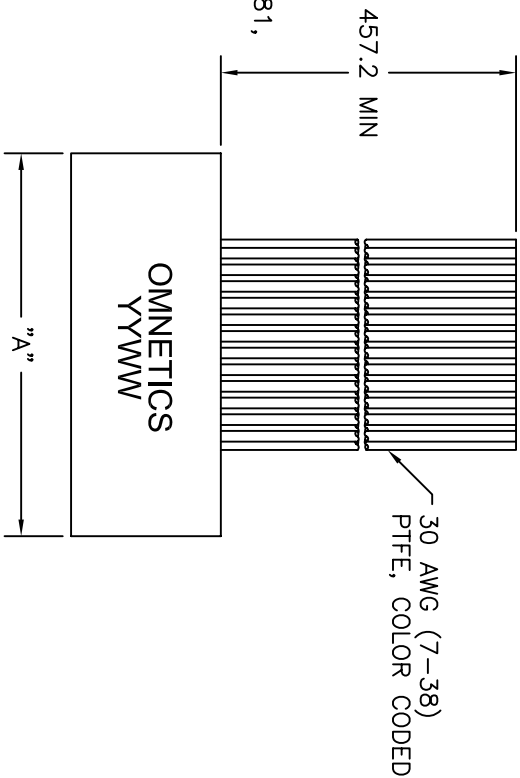
CURRENT RATING 1 AMP MAX

CONTACT RESISTANCE 25 MILLIOHM MAX

PERFORMANCE: PRODUCT FAMILY TESTED TO
AND PASSED THE PERFORMANCE
SPECIFICATIONS OF TABLE VIII
OF MIL-DTL-32139

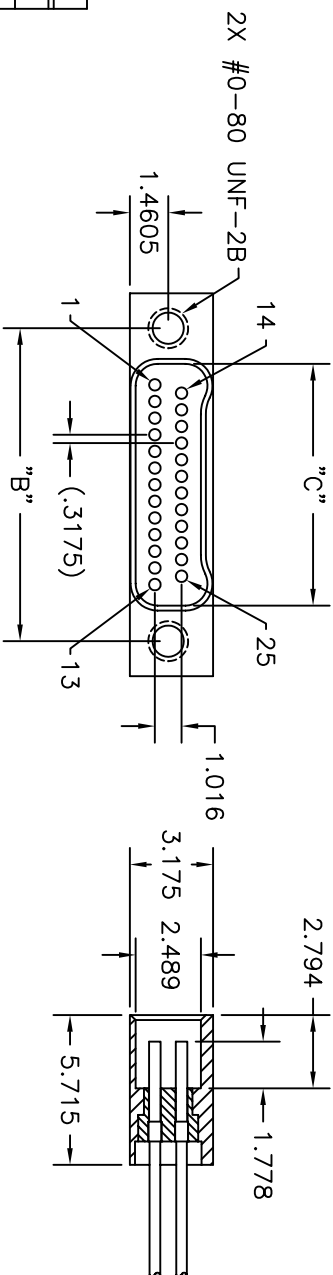
PART NO.

REV	ECO	DATE	APP
E	94450	05-14-07	TLM



SOCKET	COLOR
1, 11, 21	BLACK
2, 12, 22	BROWN
3, 13, 23	RED
4, 14, 24	ORANGE
5, 15, 25	YELLOW
6, 16	GREEN
7, 17	BLUE
8, 18	VIOLET
9, 19	GRAY
10, 20	WHITE

METRIC



(SHOWN)

PART NO.	CONTACTS	"A"	"B"	"C"
A29000-009	9	9.525	6.858	4.140
A29000-015	15	11.430	8.763	6.045
A29000-021	21	13.335	10.668	7.950
A29000-025	25	14.605	11.938	9.220
A29000-031	31	16.510	13.843	11.125
A29000-037	37	18.415	15.748	13.030
A29000-051	51	22.860	20.193	17.475
A29000-065	65	27.305	24.638	21.920

-TOLERANCES-		OMNETICS CONNECTOR CORPORATION		TITLE:		CAGE CODE 61873	
UNLESS OTHERWISE NOTED		DATE		DATE		DWG NO.	
DIMENSIONS IN MILLIMETERS		01-23-04		DATE		A29000-0XX	
2 PL DEC	± .25	DFTM. PER		CHK'D.		SHEET	OF
3 PL DEC	± .127			APP'D.		1	1
4 PL DEC	±					REV	
ANGLES	±					E	
MNSO		SOCKET FEMALE		BI-LOBE CONNECTOR		SCALE: 5:1	