

**MATERIALS & SPECIFICATIONS**

HOUSING: ALUMINUM 6061-T6, NICKEL PLATE  
PER AMS-C-26074

INSULATOR: LIQUID CRYSTAL POLYMER (LCP)  
PER ASTM D5138

CONTACT: COPPER ALLOY PER MIL-DTL-83513,  
GOLD PLATED PER ASTM B488,  
(HARD GOLD) TYPE II CODE C  
CLASS 1.27

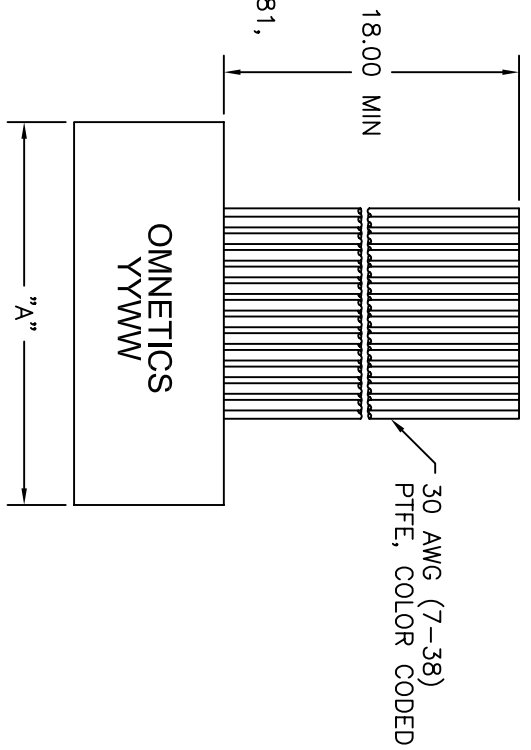
WIRE: NEMA HP3 TYPE ET, COLOR CODED JAW MIL-STD-681,  
SYSTEM 1, USING TEN SOLID REPEATING COLORS

CURRENT RATING 1 AMP MAX

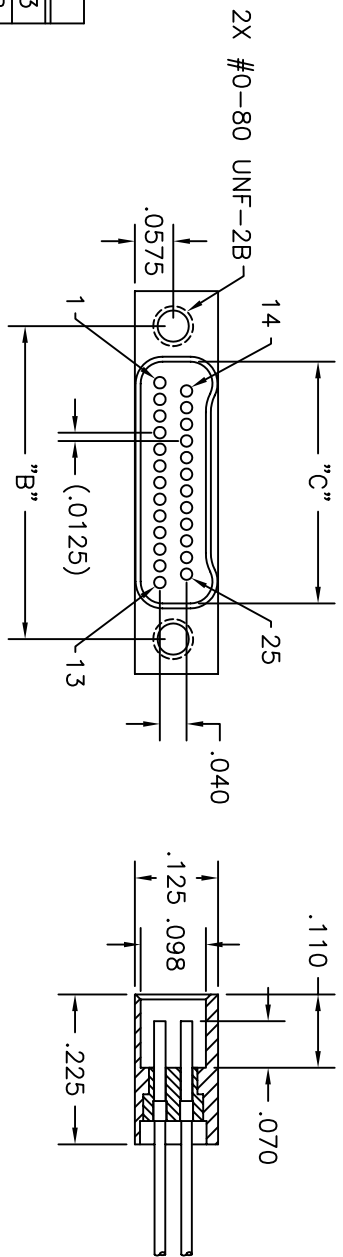
CONTACT RESISTANCE 25 MILLIOHM MAX

PERFORMANCE: PRODUCT FAMILY TESTED TO  
AND PASSED THE PERFORMANCE  
SPECIFICATIONS OF TABLE VIII  
OF MIL-DTL-32139

PART NO.	REV	ECO	DATE	APP
	E	94450	05-14-07	TLM



SOCKET	COLOR
1, 11, 21	BLACK
2, 12, 22	BROWN
3, 13, 23	RED
4, 14, 24	ORANGE
5, 15, 25	YELLOW
6, 16	GREEN
7, 17	BLUE
8, 18	VIOLET
9, 19	GRAY
10, 20	WHITE



(SHOWN)

PART NO.	CONTACTS	"A"	"B"	"C"
A29000-009	9	.375	.270	.163
A29000-015	15	.450	.345	.238
A29000-021	21	.525	.420	.313
A29000-025	25	.575	.470	.363
A29000-031	31	.650	.545	.438
A29000-037	37	.725	.620	.513
A29000-051	51	.900	.795	.688
A29000-065	65	1.075	.970	.863

-TOLERANCES- UNLESS OTHERWISE NOTED DIMENSIONS IN INCHES		<b>OMNETICS CONNECTOR CORPORATION</b>		CAGE CODE <b>61873</b>	
2 PL DEC ± .01	DFTM. PER DATE 04-14-03	TITLE: (XX) SOCKET FEMALE BI-LOBE CONNECTOR		DWG NO. <b>A29000-0XX</b>	
3 PL DEC ± .005	CHK'D. DATE			SHEET 1 OF 1	
4 PL DEC ±	APP'D. DATE			SCALE: 5:1	
MNSO				REV E	