

MATERIALS & SPECIFICATIONS

HOUSING: ALUMINUM 6061-T6, NICKEL PLATE
PER AMS-C-26074

INSULATOR: LIQUID CRYSTAL POLYMER (LCP)
PER ASTM D5138

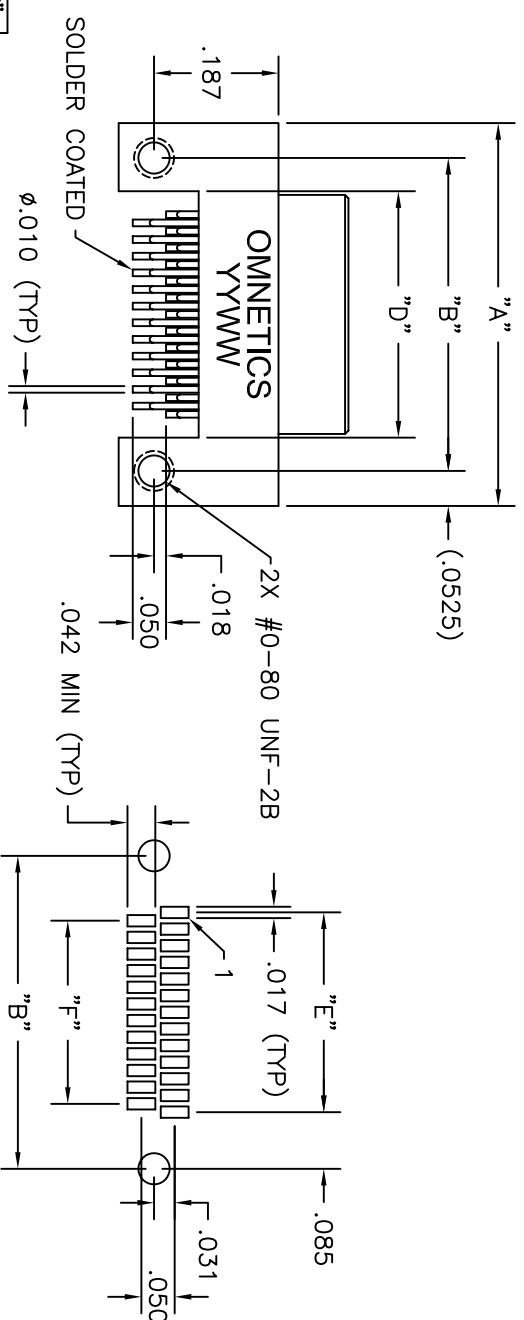
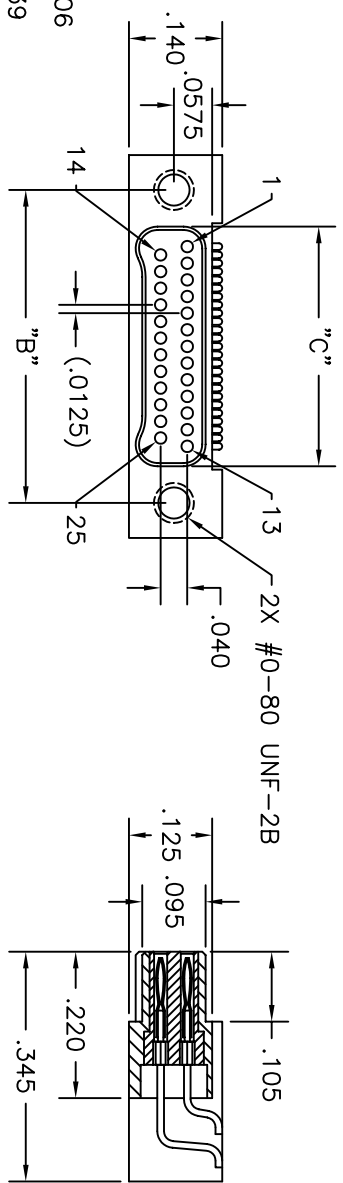
CONTACT: BERYLLIUM COPPER PER ASTM B194,
C17200. GOLD PLATED PER
ASTM B488, (HARD GOLD) TYPE II
CODE C, CLASS 1.27

TERMINATION: COATED WITH SN63A PER J-STD-006

CURRENT RATING 1 AMP MAX PER MIL-DTL-32139

CONTACT RESISTANCE 25 MILLIOHM MAX

PERFORMANCE: PRODUCT FAMILY TESTED TO
AND PASSED THE PERFORMANCE
SPECIFICATIONS OF TABLE VIII
OF MIL-DTL-32139



(SHOWN)

PART NO.	"A"	"B"	"C"	"D"	"E"	"F"
A28100-009	9	.375	.270	.160	.170	.100
A28100-015	15	.450	.345	.235	.245	.175
A28100-021	21	.525	.420	.310	.320	.250
A28100-025	25	.575	.470	.360	.370	.300
A28100-031	31	.650	.545	.435	.445	.375
A28100-037	37	.725	.620	.510	.520	.450
A28100-051	51	.900	.795	.685	.695	.625
A28100-065	65	1.075	.970	.860	.870	.800

PART NO.	REV	ECO	DATE	APP
	E	94450	05-14-07	TLM

-TOLERANCES-		OMNETICS CONNECTOR CORPORATION		CAGE CODE 61873	
UNLESS OTHERWISE NOTED		DATE 04-18-03		DWG NO. A28100-0XX	
DIMENSIONS IN INCHES		TITLE: (XX) PIN MALE		SHEET 1 OF 1	
3 PL DEC ± .01		DFTM. PER DATE		SCALE: 5:1	
4 PL DEC ± .005		CHK'D. DATE		REV E	
ANGLES ±		APP'D. DATE			
		BI-LOBE CONNECTOR			