

MATERIALS & SPECIFICATIONS

INSULATOR: LIQUID CRYSTAL POLYMER (LCP) PER ASTM D5138

CONTACT: BERYLLIUM COPPER PER ASTM B194, C17200. GOLD PLATED PER ASTM B488, (HARD GOLD) TYPE II CODE C CLASS 1.27

TERMINATION: COPPER ALLOY PER MIL-DTL-83513 MATT SOLDER PLATE  
.0001-.0002 THICK PER AMS-P-81728

LATCH SPRING: BERYLLIUM COPPER PER ASTM B194  
NICKEL PLATE PER AMS-C-26074

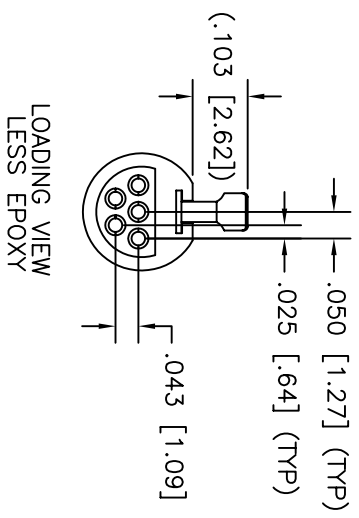
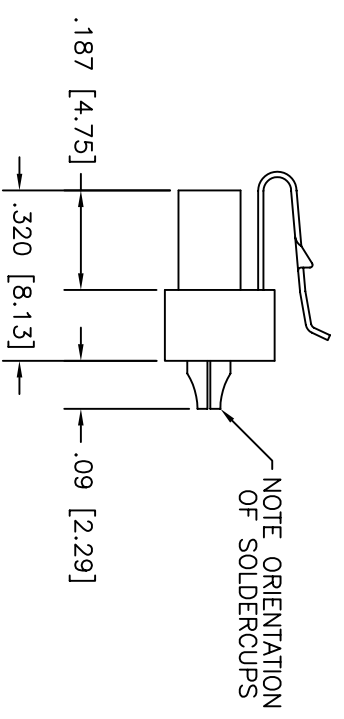
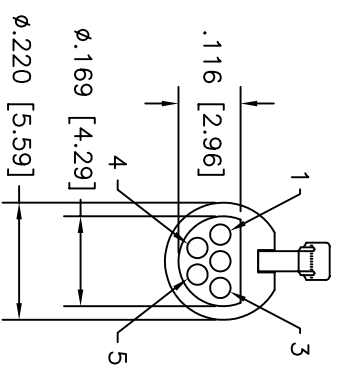
CURRENT CAPACITY 3 AMP MAX

CONTACT RESISTANCE 26 MILLIOHMS (65mv) MAX @ 2.5 AMPS

PERFORMANCE: TESTED TO AND PASSED THE PERFORMANCE

SPECIFICATIONS OF TABLE VII OF MIL-DTL-83513

PART NO.	A22027-001	REV	ECO	DATE	APP
		B	95083	04-14-08	TLM



FOR LATEST REVISION OF DRAWING  
SEE OMNETICS WEBSITE: WWW.OMNETICS.COM

-TOLERANCES- UNLESS OTHERWISE NOTED DIMENSIONS IN INCHES		DATE		OMNETICS CONNECTOR CORPORATION TITLE: (5) PIN MALE CIRCULAR CONNECTOR W/LATCH & SOLDERCUPS	CAGE CODE <b>61873</b>
		DFTM. TEP	DATE		
2 PL DEC	± .01	CHK'D.	DATE	SHEET OF 1 1	REV B
3 PL DEC	± .005	APP'D.	DATE		
4 PL DEC	±				
ANGLES	±				