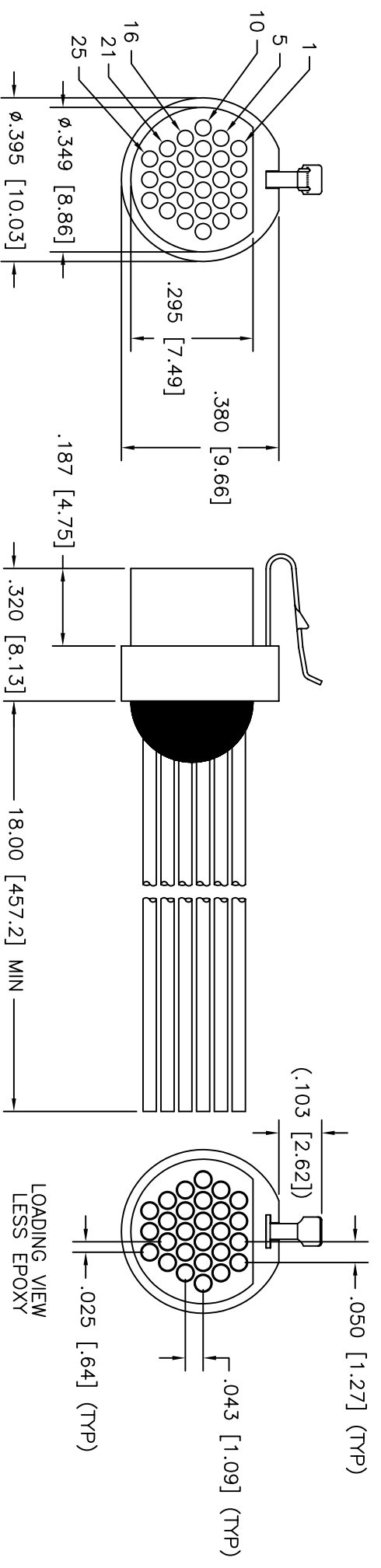


MATERIALS & SPECIFICATIONS

INSULATOR: LIQUID CRYSTAL POLYMER (LCP) PER ASTM D5138  
 CONTACT: BERYLLIUM COPPER PER ASTM B194, C17200. GOLD PLATED PER ASTM B488, (HARD GOLD) TYPE II CODE C CLASS 1.27  
 TERMINATION: 26 AWG (7-34) TYPE E, PER NEMA HP3, COLOR CODED PER TABLE  
 LATCH SPRING: BERYLLIUM COPPER PER ASTM B194, NICKEL PLATE PER AMS-C-26074  
 CURRENT CAPACITY 3 AMP MAX  
 CONTACT RESISTANCE 26 MILLIOHMS (65 mv) MAX @ 2.5 AMPS  
 PERFORMANCE: TESTED TO AND PASSED THE PERFORMANCE SPECIFICATIONS OF TABLE VII OF MIL-DTL-83513

PART NO.	A22025-001	REV	ECO	DATE	APP
		B	95083	04-14-08	TLM

PIN #	COLOR
1, 11, 21	BLACK
2, 12, 22	BROWN
3, 13, 23	RED
4, 14, 24	ORANGE
5, 15, 25	YELLOW
6, 16, 26	GREEN
7, 17, 27	BLUE
8, 18	VIOLET
9, 19	GRAY
10, 20	WHITE



INTERNAL USE ONLY  
 USE MFG LOADING  
 PROCEDURE MC-27P

-TOLERANCES- UNLESS OTHERWISE NOTED DIMENSIONS IN INCHES		<b>OMNETICS CONNECTOR CORPORATION</b>		TITLE: (27) PIN MALE CIRCULAR CONNECTOR W/LATCH		CAGE CODE <b>61873</b>	
2	PL DEC ± .01	DFTM.	TEP	DATE	05-16-07	DWG NO.	<b>A22025</b>
3	PL DEC ± .005	CHK'D.		DATE		SHEET	OF 1
4	PL DEC ±	APP'D.		DATE		SCALE:	4:1
MP						REV	B

FOR LATEST REVISION OF DRAWING  
 SEE OMNETICS WEBSITE: WWW.OMNETICS.COM